



Project _____

Item # _____

Quantity _____

Flav-R-Savor® Tall Humidified Holding Cabinets

Models: FSHC-12W1, -12W2,
FSHC-17W1, -17W1D, -17W2 -17W2D

The Hatco Flav-R-Savor® Tall Humidified Holding Cabinets are capable of holding a great variety of hot food items at optimum serving temperatures. Thermostatically-controlled heat and humidity safely keeps food at uniform temperatures and ideal environment. Foods stay fresh longer with less waste, and an all stainless steel construction gives optimal strength and support.

Standard features

- Models are available with a solid back or a pass-through design, with a full view Lexan® door full perimeter gasket and 5" (127 mm) casters (two swivel with wheel locks and two rigid)
- Electronic controls with digital read out temperature range of 80°-200°F (27°-93°C), while the lower temperatures will accommodate proofing
- Fully insulated doors, sidewalls, top, bottom, and control panel assist in retaining heat
- Right- or left-hand hinged doors with magnetic latch and heavy-duty plated hinges can be reversed in the field.
- FSHC-12W models have 12-sheet pan capacity on 3" (76 mm) centers, adjustable on 1.5" (38 mm) centers, with 12 universal pan slides, designed to accommodate up to 12 sheet pans, or up to 24 steam table pans
- FSHC-17W models have 17-sheet pan capacity on 3" (76 mm) centers, adjustable on 1.5" (38 mm) centers, with 17 universal pan slides designed to accommodate up to 17 sheet pans, or up to 34 steam table pans
- Models shipped with 10' cord and plug, 5" (127 mm) casters, and universal slides

WATER QUALITY REQUIREMENTS

Water supply in excess of 3.0 grains of hardness per gallon (GPG) (.75 grains of hardness per liter) must be treated and softened before being used. Water containing over 3.0 GPG (.75 GPL) will decrease the efficiency and reduce the operating life of the unit.

Note: Product failure caused by liming or sediment buildup is not covered under warranty.



Options (available at time of purchase only)

- Deluxe Package (Includes flush mount handles and full perimeter bumper)
- Transport Package (Includes stand-off handles, full perimeter bumper, heavy-duty 5" x 2" [127 x 51 mm] casters [two swivel with wheel locks and two rigid], and flush mount transport latch)
- Cord Wind (for transport package only)
- Stainless Steel Door (In lieu of Lexan® door)
- Stainless Steel Dutch Doors (In lieu of Lexan® Dutch doors) (FSHC-17W models only)

Accessories

- Extra Pan Slides
- Food Pans

For operation, location and safety information, please refer to the Installation and Operating Manual.



HATCO CORPORATION | P.O. Box 340500 Milwaukee, WI 53234-0500 U.S.A. | (800) 558-0607 | (414) 671-6350

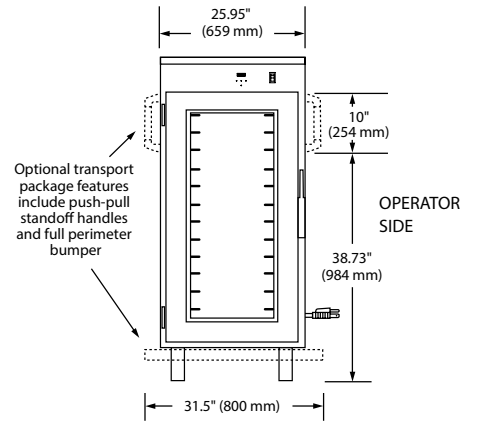
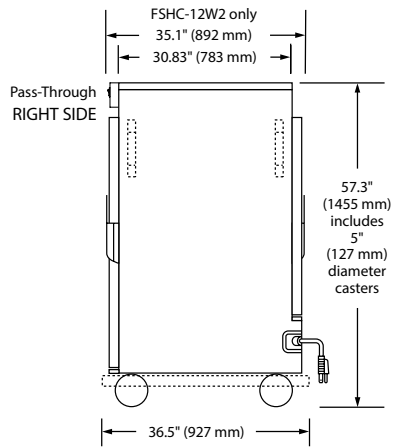
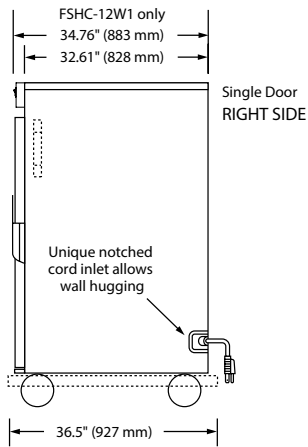
www.hatcocorp.com | support@hatcocorp.com | [Find a Hatco Rep](#) | [Image Library](#) | [Document Library](#) | [Patents](#) | [Chat](#)



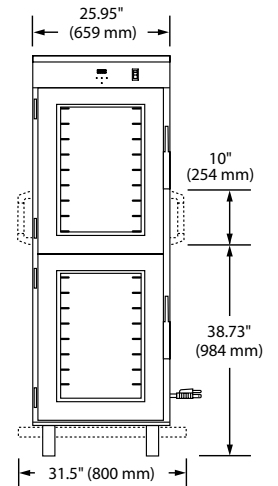
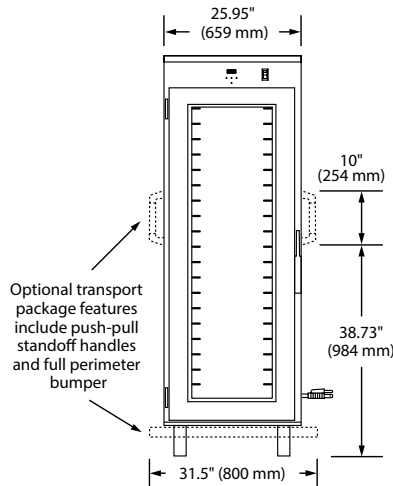
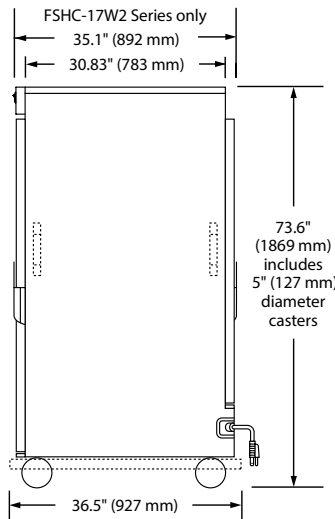
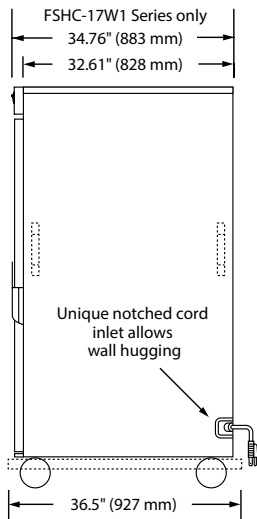
Flav-R-Savor® Tall Humidified Holding Cabinets

Models: FSHC-12W1, -12W2, -17W1, -17W1D, -17W2, -17W2D

FSHC-12W SERIES



FSHC-17W SERIES

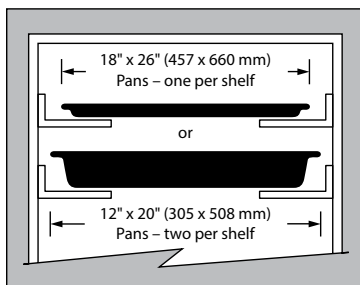


Single Door
RIGHT SIDE

Pass-Through
RIGHT SIDE

Single Door
OPERATOR SIDE

Single Opening
w/ 2 Dutch Doors
OPERATOR SIDE



Pan Capacity

FSHC-12W: 12-sheet pan capacity on 3" (76 mm) centers, adjustable on 1.5" (38 mm) centers, with universal slides designed to accommodate up to 12 sheet pans, or up to 24 steam table pans.

FSHC-17W: 17-sheet pan capacity on 3" (76 mm) centers, adjustable on 1.5" (38 mm) centers, with universal slides designed to accommodate up to 17 sheet pans, or up to 34 steam table pans.





Flav-R-Savor® Tall Humidified Holding Cabinets

Models: FSHC-12W1, -12W2, -17W1, -17W1D, -17W2, -17W2D

SPECIFICATIONS

Flav-R-Savor® Portable Holding Cabinets

The shaded areas contain electrical information for International models

Model	Description	Dimensions (W x D x H) w/Casters	Volts	Hertz	Watts	Amps	Plug	Ship Weight*
FSHC-12W1	Single Lexan® Door	25.95"W x 34.76"D x 57.3"H (659 x 883 x 1455 mm)	120	60	1650	13.8	NEMA 5-15P▲	303 lbs. (138 kg)
			208-240	60	1608-2133	7.7-8.9	NEMA 6-15	303 lbs. (138 kg)
			220-240	50	1800-2142	8.2-8.9	CEE 7/7 Schuko or BS-1363 or No Plug	303 lbs. (138 kg)
FSHC-12W2	2 Lexan® Doors Pass-through	25.95"W x 35.1"D x 57.3"H (659 x 892 x 1455 mm)	120	60	1650	13.8	NEMA 5-15P▲	316 lbs. (143 kg)
			208-240	60	1608-2133	7.7-8.9	NEMA 6-15	316 lbs. (143 kg)
			220-240	50	1800-2142	8.2-8.9	CEE 7/7 Schuko or BS-1363 or No Plug	316 lbs. (143 kg)
FSHC-17W1	Single Lexan® Door	25.95"W x 34.76"D x 73.6"H (659 x 883 x 1869 mm)	120	60	1650	13.8	NEMA 5-15P▲	352 lbs. (160 kg)
			208-240	60	1608-2133	7.7-8.9	NEMA 6-15	352 lbs. (160 kg)
			220-240	50	1800-2142	8.2-8.9	CEE 7/7 Schuko or BS-1363 or No Plug	352 lbs. (160 kg)
FSHC-17W1D	Single Opening w/ 2 Dutch Doors	25.95"W x 34.76"D x 73.6"H (659 x 883 x 1869 mm)	120	60	1650	13.8	NEMA 5-15P▲	340 lbs. (154 kg)
			208-240	60	1608-2133	7.7-8.9	NEMA 6-15	340 lbs. (154 kg)
			220-240	50	1800-2142	8.2-8.9	CEE 7/7 Schuko or BS-1363 or No Plug	340 lbs. (154 kg)
FSHC-17W2	2 Lexan® Doors Pass-Through	25.95"W x 35.1"D x 73.6"H (659 x 892 x 1869 mm)	120	60	1650	13.8	NEMA 5-15P▲	340 lbs. (154 kg)
			208-240	60	1608-2133	7.7-8.9	NEMA 6-15	340 lbs. (154 kg)
			220-240	50	1800-2142	8.2-8.9	CEE 7/7 Schuko or BS-1363 or No Plug	340 lbs. (154 kg)
FSHC-17W2D	4 Lexan® Doors Pass-Through	25.95"W x 35.1"D x 73.6"H (659 x 892 x 1869 mm)	120	60	1650	13.8	NEMA 5-15P▲	389 lbs. (177 kg)
			208-240	60	1608-2133	7.7-8.9	NEMA 6-15	389 lbs. (177 kg)
			220-240	50	1800-2142	8.2-8.9	CEE 7/7 Schuko or BS-1363 or No Plug	389 lbs. (177 kg)

* Shipping weight includes packaging.
▲ Canadian models use NEMA 5-20P.

CABINET OPENING DIMENSIONS

FSHC-12W: 22" W X 43.5" H (559 X 1105 mm)
FSHC-17W: 22" W X 59.75" H (559 X 1517 mm)

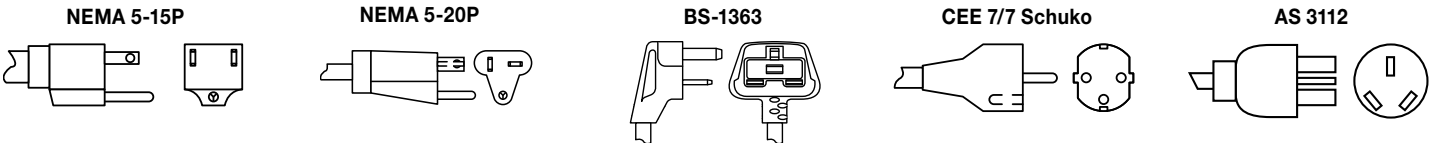
WATER RESERVOIR CAPACITY

2 gallons (7.5 liters).

CORD LOCATION

Facing controls, right-hand side panel, lower right corner.

PLUG CONFIGURATIONS



PRODUCT SPECS

Flav-R-Savor® Portable Holding Cabinets

The Tall Humidified Holding Cabinet shall be a Flav-R-Savor® Model ... , rated at ... volts, and ... watts, by the Hatco Corporation, Milwaukee, WI 53234 U.S.A.

The Cabinet shall consist of stainless steel construction with ... door(s), universal slides on 3" (76 mm) centers (adjustable on 1.5" (38 mm) centers), insulated walls, 5" (127 mm) casters (two swivel with wheel locks and 2 rigid) and a 10' (3048 mm) cord

with plug attached. It shall include a water reservoir, electronic controls, and On/Off power switch.

Accessories shall include additional slides and sheet pans.

Warranty consists of 24/7 parts and service assistance (U.S. and Canada only).

HATCO CORPORATION | P.O. Box 340500 Milwaukee, WI 53234-0500 U.S.A. | (800) 558-0607 | (414) 671-6350

www.hatcocorp.com | support@hatcocorp.com | [Find a Hatco Rep](#) | [Image Library](#) | [Document Library](#) | [Patents](#) | [Chat](#)